

OPEN AND REMOVABLE FACE BUCKET BROOM

OPERATORS & PARTS MANUAL

PM-000082

1 TO THE PURCHASER

THANK YOU

Congratulations on the purchase of your new DIGGA product! This product was carefully designed and manufactured to give you years of dependable service. To keep it operating in top working condition please read the instructions in this manual, observe all safety precautions and maintenance procedures as described in the following pages. Contact your DIGGA dealer for any further information pertaining to this product or for further information on other products available in the DIGGA range.

ABOUT THIS MANUAL

This manual has been designed to help you do a better, safer job. **Read this manual carefully and become familiar with its contents.** Remember; never let anyone operate this unit without reading the “Safety Precautions” and “Operating Instructions” sections of this manual. Unless noted otherwise, right and left sides are determined from the position of the operator when behind the product facing forward.

DIGGA	CE
www.digga.com	
Model	<input type="text"/>
Serial No.	<input type="text"/>
Flow (max)	<input type="text"/>
Pressure (max)	<input type="text"/>
Power	<input type="text"/>
Weight	<input type="text"/>
Approximate Oil Capacity:	<input type="text"/>

DE-000168 MADE IN AUSTRALIA

Your Digga Open and Removable Face Bucket Broom is a non servicable part, excluding the brush. All service and warranty must be performed by an authorised DIGGA service agent. **Unauthorised disassembly will void warranty.** To facilitate warranty or service, record the model and serial number of your unit in the space provided on this page. This information may be obtained from the identification plate located on the product.

MODEL _____

SERIAL NUMBER _____

DATE PURCHASED _____

The parts department needs this information to insure accurate parts can be sent to the authorised service agent.

IMPORTANT: WHEN SERVICING OR ASSEMBLING YOUR PRODUCT, REMEMBER TO USE ONLY GENUINE DIGGA REPLACEMENT PARTS. SUBSTITUTE PARTS MAY NOT MEET THE STANDARDS REQUIRED FOR SAFE, DEPENDABLE OPERATION. USE OF NON GENUINE DIGGA PARTS WILL VOID WARRANTY AND DIGGA WILL ACCEPT NO LIABILITY WHAT SO EVER FOR CONSEQUENTIAL OR SPECIAL DAMAGES.

2 TABLE OF CONTENTS

1	TO THE PURCHASER.....	3
2	TABLE OF CONTENTS.....	4
3	INSTALLATION AND OPERATING INSTRUCTIONS.....	5
4	MAINTENANCE FOR OPEN AND REMOVABLE FACE BUCKET BROOM.....	10
5	SAFETY STICKER LOCATION.....	11
6	TROUBLESHOOTING	12
7	SPARE PARTS.....	13
8	WARRANTY.....	14
9	SAFETY PRECAUTIONS - GENERAL INFORMATION	15

MODELS COVERED IN THIS MANUAL

OPEN FACE BUCKET BROOM

REMOVABLE FACE BUCKET BROOM

3 INSTALLATION AND OPERATING INSTRUCTIONS

The DIGGA Open or Removable Face Bucket Broom attaches to the tool bar/quick-attach mechanism of your Machine. Due to this arrangement, thorough knowledge of the machinery controls is necessary for machine operation. Read and understand your machine operator's manual for information regarding machine operation before attempting to use the Open or Removable Face Bucket Broom. When a Open or Removable Face Bucket Broom is purchased from Digga or a DIGGA Dealer/Distributor the frame/attachment is matched for suitability and compatibility to the flow, pressures & load ratings of the original machine it was purchased for. For fitment of the Open or Removable Face Bucket Broom to other machines you must first contact your DIGGA dealer and receive written confirmation to ensure you do not incorrectly fit the Open or Removable Face Bucket Broom to a machine with higher, pressure or rated load capacities than what the Open or Removable Face Bucket Broom was designed for. Warranty will be void if the Open or Removable Face Bucket Broom is fitted to an alternative machine without first receiving written confirmation from your DIGGA dealer. Exceeding the recommended max flow, pressure, or rated load capacity of the Open or Removable Face Bucket Broom as stated on the serial tag will void all warranty. Check the work site and identify the extent of the work to be carried out and note any possible hazards or constraints. Underground cables, services etc. Check with relevant government departments on the location of these before commencement of any work. Review the job at hand and determine the Open or Removable Face Bucket Broom is appropriate for the intended conditions. *For example:* Do not use to collect rocks.

INSTALLATION INSTRUCTIONS

1. Remove the shipping banding from around the Open or Removable Face Bucket Broom and Frame.
2. Remove any attachments from the front of the Machine.
3. Ensure you have read the serial tag on the Open or Removable Face Bucket Broom to obtain the max flow and pressure ratings. Ensure you machine flow and pressure settings are aligned with the requirements of the Open and Removable Face Bucket Broom.

NEVER EXCEED THE MAX FLOW AND PRESSURE RATINGS AS WARRANTY WILL BE VOID.

4. Following all standard safety practices and the instructions for installing an attachment in your machine operator's manual, install the Open or Removable Face Bucket Broom onto your Machine.



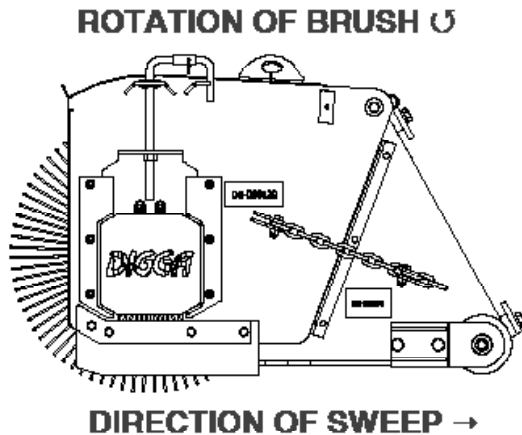
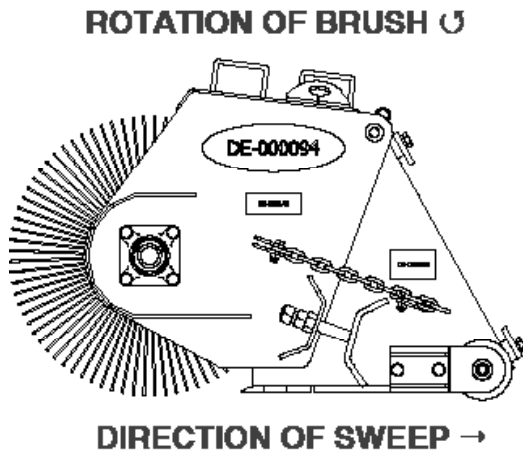
NOTE: IT IS IMPORTANT TO MAKE SURE THE LOCKING MECHANISM ON YOUR QUICK ATTACH IS ENGAGED, THEREFORE LOCKING THE ATTACHMENT ONTO THE MACHINE.

5. Lower the unit to the ground and remove the key from the parent machine.
6. Relieve any pressure from the auxiliary hydraulic system and after making sure that there is not any foreign matter on the hydraulic couplers, connect the power and return couplers to the auxiliary hydraulic system of your machine.
8. Route the hoses in such a fashion as to avoid pinching or chafing.
9. Adjust the brushes to the correct position – see section on adjusting the brush.
10. Your attachment is ready for use.

3 INSTALLATION AND OPERATING INSTRUCTIONS

OPEN AND REMOVABLE FACE BUCKET BROOM WITH HOOD REMOVED OPERATION

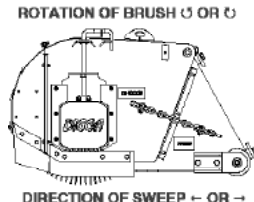
1. Manoeuvre machine to required location for sweeping, lower the loader arms. Ensuring the brushes are approximately 30mm below the bucket edge and tilt the broom forward until the bucket cutting edge is just clear of the ground.
2. Start brushes rotating, open face broom has a check valve to allow only correct rotation of the brush. Removable Face Bucket Broom does not have check valve ensure brush is rotating anti clock wise when looking at motor end of broom.
3. Move machine in a reverse direction while sweeping.
4. Operate the machine at medium RPM. If excessive dust is being raised, reduce brush speed via lower RPM's and travel slower.
5. When the bucket requires emptying, stop rotation of the brushes, lift loaders arms and tilt bucket forward so the Open or Removable Face Bucket Broom lid swings away from the bucket.



3 INSTALLATION AND OPERATING INSTRUCTIONS

REMOVABLE FACE BUCKET BROOM WITH HOOD FITTED OPERATION

1. Manoeuvre machine to required location for sweeping, lower the loader arms. Ensuring the brushes are approximately 30mm below the bucket edge and tilt the broom forward until the bucket cutting edge is just clear of the ground.
2. Start brushes rotating in the required direction via the auxiliary lever and move forward or reverse depending on the type of sweeping required.
3. Operate the machine at medium RPM. If excessive dust is being raised, reduce brush speed via lower RPM's and travel slower.
4. When the bucket requires emptying, stop rotation of the brushes, lift loaders arms and tilt bucket forward so the Removable Face Bucket Broom lid swings away from the bucket.



REMOVAL AND STORAGE

1. Set the attachment on the ground and follow the standard shut down procedure in your loader operators manual.
2. With the loader OFF, disengage the attachment lock pins, release hydraulic pressure from the auxiliary hydraulic system and disconnect the hydraulic couplers from the loader.
3. Start the machines engine and make sure that the lift arm is lowered and in contact with the loader frame.
4. Roll the attachment mechanism forward and slowly back up until the attachment is free from the machine.
5. Remove and store the attachment in a dry and protected place. Leaving the Open or Removable Face Bucket Broom outside will materially shorten its life.

WHEN ATTACHMENTS NOT ON PARENT MACHINE:

It is a requirement of the Australian Work place Health and Safety act 2011 that safe systems of work are employed when handling any attachments. Complete compliance with Work place Health and Safety issues is compulsory and all due care and attention must be observed at all times in any method of moving, transporting or storing any such device when not attached to a parent machine. We recommend attachments are well secured when being moved or in transit and furthermore prior to moving, storing, loading/unloading or parking it is suggested that the attachment is strapped/secured to a pallet or enclosed in a suitable container to minimise any movement or loss of the load during such activity. NO responsibility for loss or damage to persons or property in any regard can be attributed to Digga.

3 INSTALLATION AND OPERATING INSTRUCTIONS

TRANSPORTING THE ATTACHMENT

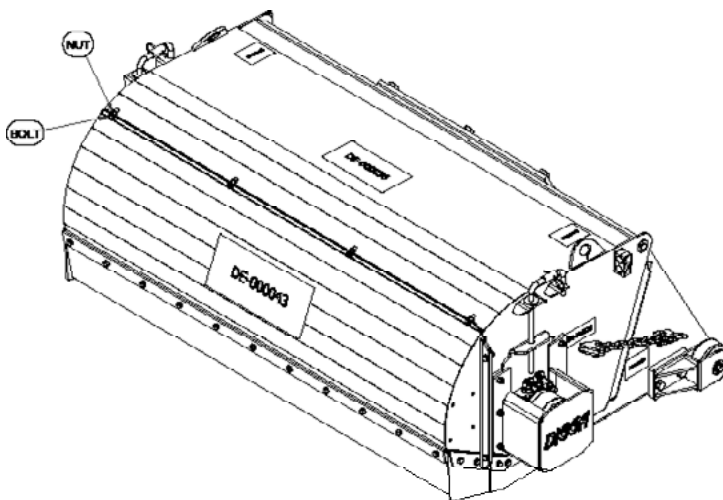
1. Follow all federal, state and local regulations when transporting the unit on public roads.
2. Use extra care when loading or unloading the machine onto a trailer or truck. Disconnect hydraulic couplers during transportation.

REMOVING FRONT HOOD COVER



WARNING: DO NOT ATTEMPT TO REMOVE FRONT HOOD COVER WHILE BROOM IS IN OPERATION, MAKE SURE AUXILLARY HYDRAULICS ARE ISOLATED.

1. Position Broom on the ground NB: There are a total of 8 bolts, 4 across the top and 2 down each side of the Broom.
2. Undo and remove the 8 bolts using a 16mm or 5/8" spanner for the bolt and a 17mm or 11/16" spanner for the nut.
3. Once all bolts are removed the front cover is ready for removal.
4. Ensure to store in a safe place if damaged whilst not fitted it could cause cover to not be able to be refitted.



3 INSTALLATION AND OPERATING INSTRUCTIONS



WARNING: DO NOT ATTEMPT TO ADJUST BRUSH HEIGHT WHILE BROOM IS IN OPERATION, MAKE SURE AUXILIARY HYDRAULICS ARE ISOLATED.

ADJUSTING BRUSH HEIGHT

OPEN FACE BROOM

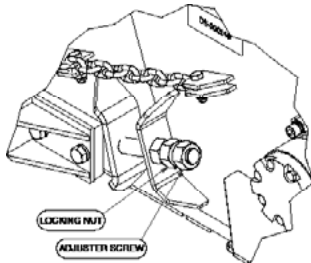
NB Procedure needs to be carried out on both ends of Open Face Broom

1. Loosen the locking nut using a 38mm / 1 1/2" spanner by turning anti clockwise.
2. Adjust the height of the brush using a 38mm / 1 1/2" spanner by turning anti clockwise to lower the brush height or by turning clockwise to raise the brush height.
3. Once desired height has been achieved tighten to locking nut using a 38mm / 1 1/2" spanner by turning clockwise.

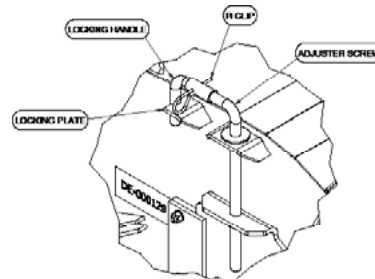
REMOVABLE FACE BUCKET BROOM

NB Procedure needs to be carried out on both ends of Removable Face Broom

1. Remove the R Clip.
2. Remove Locking Handle and rotate 180° and reinstall R Clip.
3. By cranking the Locking Handle around the axis of the Adjuster Screw you can lower the brush height by cranking anti clockwise or raise the brush height by cranking clockwise, ensure Adjuster Screw is pointing in direction of Locking Plate when height has been adjusted.
4. Remove the R Clip.
5. Remove Locking Handle and rotate 180° and reinstall R Clip ensure Locking Handle is located in the Locking Plate.



OPEN FACE BUCKET BROOM



REMOVABLE FACE BUCKET BROOM

4 MAINTENANCE FOR OPEN AND REMOVABLE FACE BUCKET BROOM

The key feature of your Digga Open or Removable Face Bucket Broom is low maintenance. It contains non servicable parts, excluding the brush. Unauthorised disassembly will void warranty.



SAFETY FIRST!! READ AND UNDERSTAND THE SAFETY INSTRUCTIONS BEFORE BEGINNING ANY BROOM MAINTENANCE.

BEFORE FIRST USE

- Inspect the attachment for shipping damage. If damage does exist, do not operate until the damaged parts have been replaced or repaired.

BEFORE EACH USE

- Make sure that all nuts and bolts are in place and properly tightened.
- Make sure that all other fasteners are in place and are performing their specified function.
- Make sure that all hydraulic fittings are tightened and that there are no leaks in any fittings or hoses.
- Make sure that all safety signs are in place, are clean, and are legible. (SEE THE SAFETY SIGN SECTION)
- Check for wear and tear on pins, linkages, cutting edges and replace any damaged parts and excessively worn parts.
- Use only manufacturer recommended replacement parts. Other parts may be substandard in fit and quality.
- Always wear safety goggles or glasses when inspecting equipment.
- Grease all grease nipples at the start of the day.

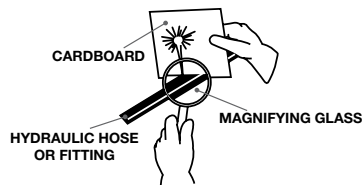
EVERY 10 HOURS OF USE

- Check the Broom axle is inline and adjust as necessary.
- Always wear safety goggles or glasses when inspecting equipment.

WARNING!



If injured by injected fluid, see a doctor at once. If your doctor is not familiar with this type of injury, ask him to research it immediately to determine proper treatment.



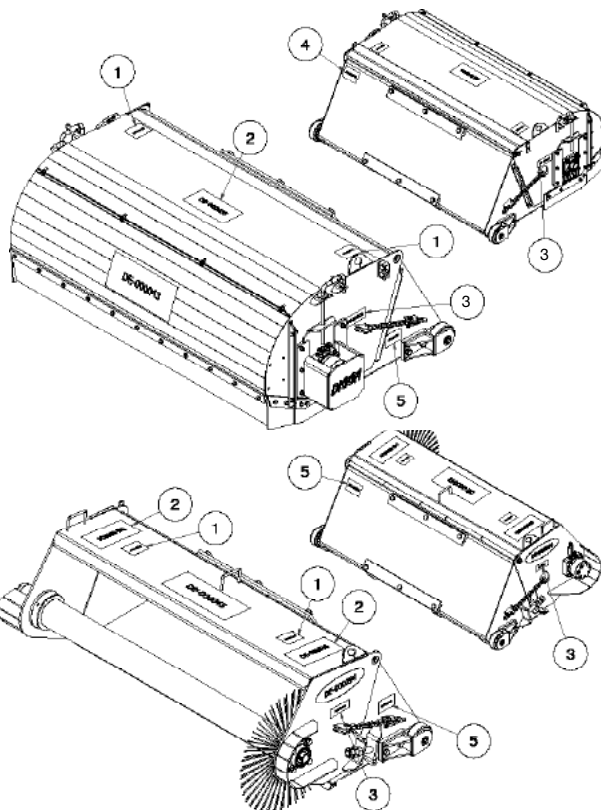
Escaping fluid under pressure can have sufficient force to penetrate the skin causing serious personal injury. Fluid escaping from a very small hole can be almost invisible. Use a piece of cardboard or wood, rather than hands to search for suspected leaks. Keep unprotected body parts, such as face, eyes, and arms as far away as possible from a suspected leak. Flesh injected with hydraulic fluid may develop gangrene or other permanent disabilities.

PLACEMENT OR REPLACEMENT OF SAFETY SIGNS

1. Clean the area of application with non-flammable solvent, then wash the same area with soap and water.
2. Allow the surface to fully dry.
3. Remove the backing from the safety sign, exposing the adhesive surface.
4. Apply the safety sign to the position shown in the diagram above and smooth out any bubbles.

INSTRUCTIONS

- Keep all safety signs clean and legible.
- Replace all missing, illegible, or damaged safety signs.
- Replacement parts for parts with safety signs attached must also have safety signs attached.
- Safety signs are available from your dealer or from Digga Australia.

**OPEN OR REMOVABLE FACE BUCKET BROOM**

NO	ORDER CODE	DESCRIPTION	QTY
1	DE-000040	CAUTION - RIDING ON SWEEPER	2
2	DE-000036	CAUTION - ENSURE BYSTANDERS 15M - BRUSHES	1
3	DE-000129	DECAL - PINCH POINT	4
4	DE-000038	CAUTION - PLEASE READ 15M CLEAR	1
5	DE-000168	DIGGA SERIAL TAG	1

ITEM 1

CAUTION:
Riding on Sweeper can cause serious injury or death.

ITEM 2

CAUTION:
1. Ensure all bystanders maintain a distance of 15m.
2. Flying debris from brushes can cause serious injury or even death.
3. Strict use of the attachment tool operators manual.

ITEM 3

WARNING
PINCH POINT HAZARD
TO AVOID INJURY KEEP HANDS AND FEET CLEAR.

ITEM 4

CAUTION
PLEASE READ OPERATORS MANUAL BEFORE OPERATION.
ENTANGLEMENT WITH ROTATING PARTS CAN CAUSE INJURY OR DEATH.
ENSURE ALL CHILDREN KEEP AWAY CLEAR OF ALL MOVING PARTS.

ITEM 5

DIGGA CE
Model: _____
Serial No: _____
Plate (mm): _____
Pressure (bar): _____
Mass: _____ kg
G.P. _____

6 TROUBLESHOOTING

OPEN OR REMOVABLE FACE BUCKET BROOM		
TROUBLE	POSSIBLE CAUSE	REMEDY
Brush does not turn	Quick couplers not engaged properly	Check hoses and engage properly
	Quick coupler failure	Replace faulty coupler
	An obstruction in the hoses	Remove obstruction
	Motor failure	Contact your local Digga Dealer
Does not sweep correctly	Incorrect brush height adjustment	Check and adjust
	Worn brush	Replace brush
	Brush speed too fast or too slow	Adjust brush R.P.M to suit conditions
	Parent machine travel too slow or too fast	Adjust travel speed
Hydraulic oil overheating	Incorrect brush rotation and or travel direction	Adjust brush rotation and travel speed
	Relief valve set too low on parent machine	Test and set as needed
	Restriction in hose or quick coupler	Inspect and repair
	Faulty coupler	Inspect and repair
Brush wearing quickly	Parent machine not equipped with oil cooler or sufficient oil capacity	Stop, allow to cool when it gets hot.
	Brush RPM too high	Reset or lower RPM
	Incorrect brush adjustment	Check and adjust
	Brushing highly abrasive material	Contact your local Digga Dealer
Bucket wear edges wearing quickly	Broom being used at incorrect angle	Adjust broom angle

For further information on spare parts please contact one of the Digga sales office below your closest authorised Digga Dealer.

DIGGA INTERNATIONAL SALES OFFICES

ASIA PACIFIC

DIGGA HEAD OFFICE - BRISBANE

4 Octal St, Yatala QLD 4207

PH: (07) 3807 3330

EMAIL: info@digga.com

DIGGA NEW SOUTH WALES

19 Mckay Close,
Wetherill Park, NSW 2164

PH: 1300 2 DIGGA

EMAIL: nsw@digga.com

DIGGA VICTORIA

17-21 Babbage Dr,
Dandenong, VIC 3175

PH: 1300 2 DIGGA

EMAIL: vic@digga.com

WEB: www.digga.com

NORTH AMERICA

DIGGA NORTH AMERICA

2325 Industrial Parkway SW
Dyersville IA 52040

PH: + 1 563 875 7915

WEB: www.diggausa.com

EMAIL: info@diggausa.com

EUROPE

DIGGA EUROPE

Unit 6, Smitham Bridge Road
Hungerford Trading Estate,
Hungerford, Berkshire RG17 0QU
England, United Kingdom

PH: +44 (0) 1488 688 550

WEB: www.diggaeuropa.com

EMAIL: info@diggaeuropa.com

WARRANTY

All new Digga products are warranted to be free from defects in materials or workmanship, for a period of twelve (12) months from date of original purchase, which may cause failure under normal usage and service when used for the purpose intended. Digga Australia Pty Ltd warrants its equipment for a period of eighteen (18) months dating from delivery to the original user.

In the event of failure (excluding cable, ground engaging parts such as sprockets, digging chain, bearings, teeth, tamping and demolition heads, blade cutting edges, pilot bits, auger teeth, auger heads), if after examination, Digga determines failure was due to defective material and/or workmanship, parts only will be repaired or replaced. Digga may request defective product or products be returned prepaid to them for inspection at their place of business or to a location specified by Digga. The warranty will be considered void if the product or any part of the product is modified or repaired in any way not expressly authorized by Digga, or if closed components are disassembled prior to return. Closed components include, but are not limited to: gearboxes, hydraulic pumps, motors, cylinders and actuators. Any goods returned to Digga by the customer under warranty or repair must have all freight charges prepaid for on the customers account.

Any claims under this warranty must be made within fifteen (15) days after the Buyer learns of the facts upon which such claim is based. All claims not made in writing and received by Digga outside the time period specified above shall be deemed waived.

DAMAGE OR FAILURE THROUGH OPERATOR ABUSE OR NEGLIGENCE VOIDS WARRANTY.

THIS WARRANTY IS IN LIEU OF ALL OTHER WARRANTIES EXPRESSED OR IMPLIED AND THERE ARE NO WARRANTIES OF MERCHANTABILITY OR OF FITNESS FOR A PARTICULAR PURPOSE. IN NO EVENT SHALL DIGGA BE LIABLE FOR CONSEQUENTIAL OR SPECIAL DAMAGE. DIGGA'S LIABILITY FOR ANY AND ALL LOSSES AND DAMAGES TO BUYER, RESULTING FROM ANY CAUSE WHATSOEVER, INCLUDING DIGGA'S NEGLIGENCE, IRRESPECTIVE OF WHETHER SUCH DEFECTS ARE DISCOVERABLE OR LATENT, SHALL IN NO EVENT EXCEED THE PURCHASE PRICE OF THE PARTICULAR PRODUCTS WITH RESPECT TO WHICH LOSSES OR DAMAGES ARE CLAIMED, OR, AT THE ELECTION OF DIGGA, THE REPAIR OR REPLACEMENT OF DEFECTIVE OR DAMAGED PRODUCTS.

9 SAFETY PRECAUTIONS - GENERAL INFORMATION

This section is composed of various warnings and safety tips. **Read and learn all the information in this section before you attempt to use your attachment.** Also read your machine's owner's manual before using your equipment. This knowledge will help you operate your unit safely. **Do not take this information lightly, it is presented for your benefit and for the benefit of others working around you.**

The DIGGA Open or Removable Face Bucket Broom receives its power from the parent machine through the auxiliary valve circuit with quick release couplers normally located on the machine arms near the front. Attaching points on the Open or Removable Face Bucket Broom are the same as the bucket attaching points on your machine.

If you are in any doubt contact your nearest DIGGA Dealer for assistance.

TAKE NOTE! THIS SAFETY ALERT SYMBOL FOUND THROUGHOUT THIS MANUAL IS USED TO CALL YOUR ATTENTION TO INSTRUCTIONS INVOLVING YOUR PERSONAL SAFETY OR OTHERS. FAILURE TO FOLLOW THESE INSTRUCTIONS CAN RESULT IN INJURY OR DEATH.

THIS SYMBOL MEANS:



**ATTENTION!
BECOME ALERT!
YOUR SAFETY IS INVOLVED!**

SIGNAL WORDS: Note the use of signal words DANGER, WARNING, and CAUTION with the safety messages. The appropriate signal word for each has been selected using the following guidelines:

DANGER: Indicates an imminently hazardous situation, which if not avoided, will result in death or serious injury. This signal word is to be limited to the most extreme situations, typically for machine components which, for functional purposes, cannot be guarded.

WARNING: Indicates a potentially hazardous situation, which if not avoided, could result in death or serious injury, and includes hazards that are exposed when guards are removed. It may also be used to alert against unsafe practices.

CAUTION: Indicates a potentially hazardous situation, which if not avoided, may result in minor or moderate injury. It may also be used to alert against unsafe practices.

TO THE OPERATOR

The primary responsibility for safety with this equipment falls to the operator. Make sure that the equipment is operated only by trained individuals that have read and understand this manual. Don't hurry the learning process or take the unit for granted. It is the skill, care, common sense, and good judgement of the operator that will determine how efficiently and safely the job is performed. Know your equipment before you start. Know its capabilities and how to operate all the controls. Visually inspect your equipment before you start, ensure correct assembly and installation of the attachment and never operate equipment that is not in proper working order. Practice the operation of your new attachment and become familiar with the controls and the way it handles on your machine. If there is any portion of this manual or function you do not understand, contact your local authorized dealer or the manufacturer.

9 SAFETY PRECAUTIONS - GENERAL INFORMATION

1. Never operate the attachment without first reading and understanding the entire operator's manual.
2. **Do not paint over**, remove or deface any safety signs or warning decals on your equipment.
3. **Follow all safety decals**. Keep them clean and replace them if they become worn, damaged or illegible.
4. Know your equipment inside and out. Know how to operate all controls and know emergency shut down procedures.
5. **Keep all stepping surfaces, pedals, and controls free from dirt, grease and oil** to help avoid injury from slipping or a fall when getting on or off equipment.
6. Operate the attachment only in daylight or sufficient artificial light.
7. Always carry loads close to the ground. Do not step off machine platform with load raised.
8. **Turn off engine before performing maintenance**. All maintenance can be performed with the machine arms lowered. If lift arms must be left raised for any reason, use a positive lift arm lock to secure the arms in place. Serious damage or personal injury could result from lift arms accidentally lowering.
9. **Reduce speed when driving over rough terrain**, on a slope, or turning to avoid overturning the machine.
10. **Check your work area and know where all utility lines are**. Avoid hitting underground or overhead electrical wires, cables, pipes, fence posts, gas lines, etc.
11. **Never operate equipment while under the influence of alcohol, prescription drugs or any other form of illegal recreational drugs** which could inhibit physical and/or mental capacity.
12. Do not exceed rated operating capacity, as machine may become unstable resulting in loss of control.
13. **Always lower the loader arms or machine boom to the ground**, shut off the engine and remove the key before getting off the unit.
14. Operators, helpers, and other personnel working near Open or Removable Face Bucket Broom must wear steel-toe safety shoes, safety glasses, and hard hats as a minimum. Hearing protection, respirators, and personnel protective clothing will be specified in the site-specific Health and Safety Plan.
15. Do not smoke when refuelling machine. Allow room in the gas tank for expansion. Wipe up any spilt fuel. Secure cap tightly when done.
16. Be alert to others in the work area. Be sure others know when and where you will be working. Make sure no one is behind equipment or within 15 metres of it operating.
17. Loose fitting clothing, long hair, jewellery and equipment which might become entangled in moving equipment are prohibited while working near Open or Removable Face Bucket Broom.
18. Open or Removable Face Bucket Broom must be shut down and properly locked-out and tagged before repairs or maintenance is performed. Only properly trained and qualified individuals are permitted to perform repairs and maintenance.
19. Site workers shall not be allowed on/in a Open or Removable Face Bucket Broom while it is in operation or the equipment is being moved.
20. Machinery must be shut down and the key removed before being left unattended.
21. Controls must be engaged slowly until hydraulic fluids and the unit are up to operating temperature. This is critical during cold weather. Impact or shock loading of the Open or Removable Face Bucket Broom is prohibited.

9 SAFETY PRECAUTIONS - GENERAL INFORMATION

22. Open or Removable Face Bucket Broom shall be used only for their designed intent and shall not be loaded beyond their rated capacity. Overloading or exceeding the manufacturers specifications will void all warranty.
23. Sharp braking or hoisting is prohibited.
24. Only authorized, trained workers will be permitted to operate Open or Removable Face Bucket Broom. All unnecessary personnel will stand clear of Open or Removable Face Bucket Broom or devices while they are in operation.
25. The operator shall verbally alert site workers and visually ensure all site workers are clear from dangerous parts of equipment before starting or engaging equipment.
26. Open or Removable Face Bucket Broom must be stationary before adding or removing Side Sweep Broom attachment, or making adjustments to the equipment.
27. Open or Removable Face Bucket Broom shall be cleaned only when the mechanism is in neutral and stopped; long-handled shovels shall be used to move debris from the Open or Removable Face Bucket Broom. Materials heavier than 10kgs must be moved mechanically or by using at least two people.
28. Operations must be stopped in the event of local thunderstorm, or lightning activity. During operation, weather conditions shall be monitored: operations shall cease during electrical storms or when electrical storms are imminent.



WHEN OPERATING THIS PRODUCT IN ACCORDANCE WITH DESIGN INTENTIONS

- Never use Open or Removable Face Bucket Broom on a Loader that is not equipped with a cab or ROPES, and operator restraints (seat belts or equivalent devices).
- Know your machines safe operating weight limit, and the weight of loaded attachment.
- Use caution when working close to fences and ditches, or on uneven ground.



WHEN ADJUSTING, SERVICING OR REPAIRING THIS PRODUCT

- Make no modifications to your Open or Removable Face Bucket Broom.
- When making repairs, use only genuine Digga parts for fasteners, hydraulic hoses, or hydraulic fittings, use only properly rated parts.
- Replacement parts, for parts with safety signs attached, must also have safety signs attached.



WHEN MOUNTING THIS PRODUCT TO YOUR MACHINE

- Refer to the operator's manuals of your machine, and your quick-attach for special or detailed mounting instructions.
- This product should fit onto the quick-attach Frame or Hitch.
- If this product does not fit properly, contact your Digga Dealer before operating.
- Never place any part of your body into the mounting plate, frame, hitch or loader holes. A slight movement of the power unit or this product could cause serious injury.
- Where 'Dead Man' connections are connected or installed it is illegal to disengage, tamper with or remove them.

9 SAFETY PRECAUTIONS - GENERAL INFORMATION



WHEN DEALING WITH HYDRAULICS DURING ANY TYPE OF ASSEMBLY, OPERATION, MAINTENANCE, OR OTHER WORK ON OR NEAR THIS PRODUCT

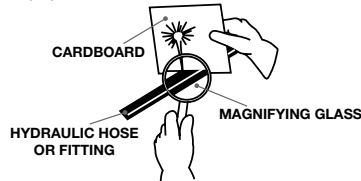
- Hydraulic fluid under pressure can penetrate the skin and cause serious injury or death. Hydraulic leaks under pressure may not be visible!
- If any fluid penetrates the skin, GET IMMEDIATE MEDICAL ATTENTION!
- Wear safety glasses, protective clothing, and use a sound piece of cardboard or wood when searching for hydraulic leaks. DO NOT USE YOUR HANDS! Before connecting or disconnecting hydraulic hoses, read your machine or power unit's operator's manual for detailed instructions on connecting and disconnecting hydraulic attachments.
- Make certain that all parts meet the specifications for this product when installing or replacing hydraulic hoses or fittings.
- After connecting hydraulic lines: Slowly and carefully raise the loader and cycle the rollback / dump cylinders to check hose clearances and to check for any interference.
 - Operate the hydraulics on this product to check hose clearances and to check for any interference.
 - Make certain that the hoses cannot interfere with or actuate the quick-attach mechanism.
 - Make certain that hoses will not be pinched, or get tangled, in any equipment.
- Do not lock the auxiliary hydraulics of your power unit in the "ON" position.
- Refer to your power unit's operator's manual and this manual for procedures and intervals, then inspect and maintain the entire hydraulic system to insure that the fluid remains clean, that all devices function properly, and that there are no fluid leaks.

Always wear safety goggles or glasses when inspecting equipment.

WARNING!



If injured by injected fluid, see a doctor at once. If your doctor is not familiar with this type of injury, ask him to research it immediately to determine proper treatment.



Escaping fluid under pressure can have sufficient force to penetrate the skin causing serious personal injury. Fluid escaping from a very small hole can be almost invisible. Use a piece of cardboard or wood, rather than hands to search for suspected leaks. Keep unprotected body parts, such as face, eyes, and arms as far away as possible from a suspected leak. Flesh injected with hydraulic fluid may develop gangrene or other permanent disabilities.

For additional safety information please see Risk Management booklet. To obtain a copy contact Digga Head Office on +61 7 3807 3330



Australian Designed and Manufactured